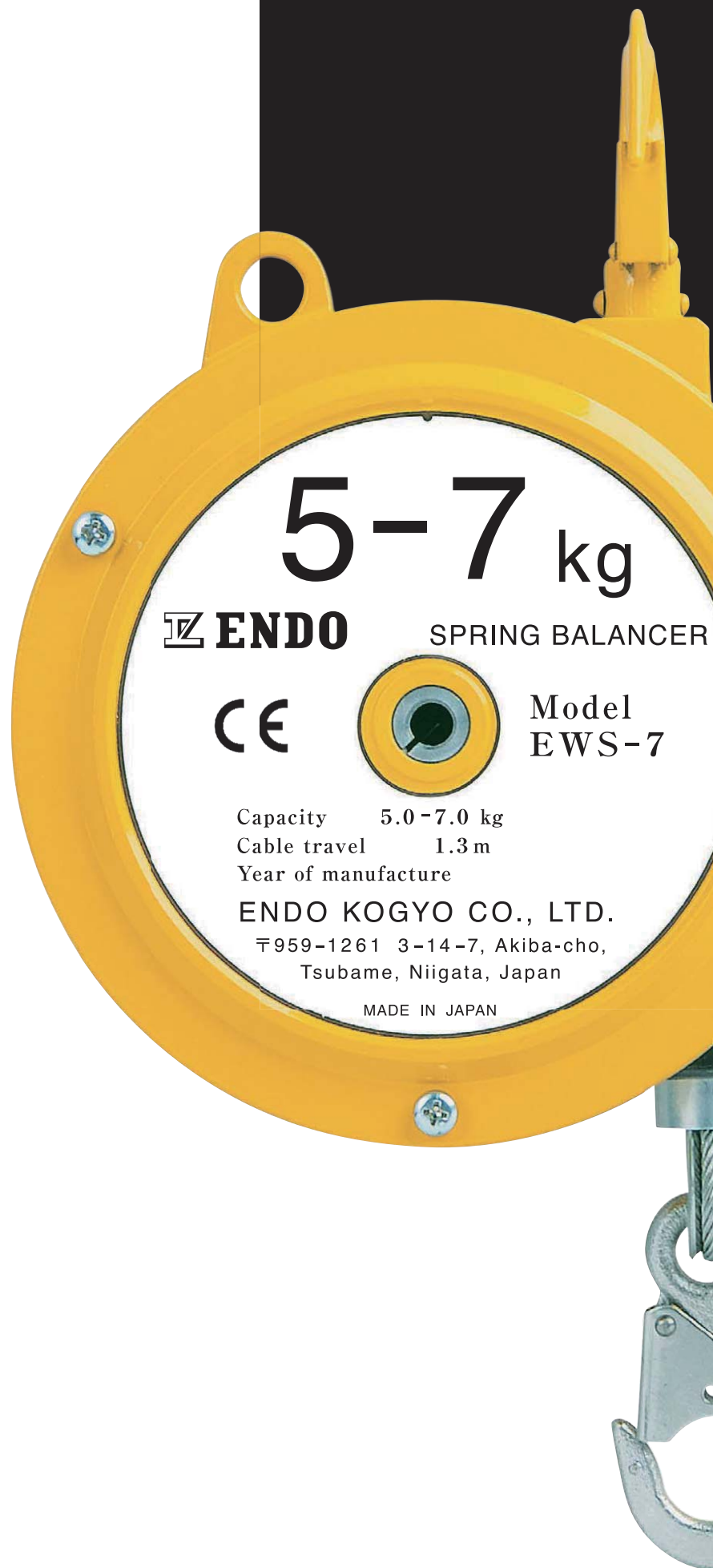


# SPRING BALANCER

**ENDO**



**5-7 kg**

**ENDO**

SPRING BALANCER

CE



Model  
EWS-7

Capacity 5.0-7.0 kg  
Cable travel 1.3 m  
Year of manufacture

**ENDO KOGYO CO., LTD.**

〒959-1261 3-14-7, Akiba-cho,  
Tsubame, Niigata, Japan

MADE IN JAPAN

# SPRING BALANCER



## What is Spring balancers?

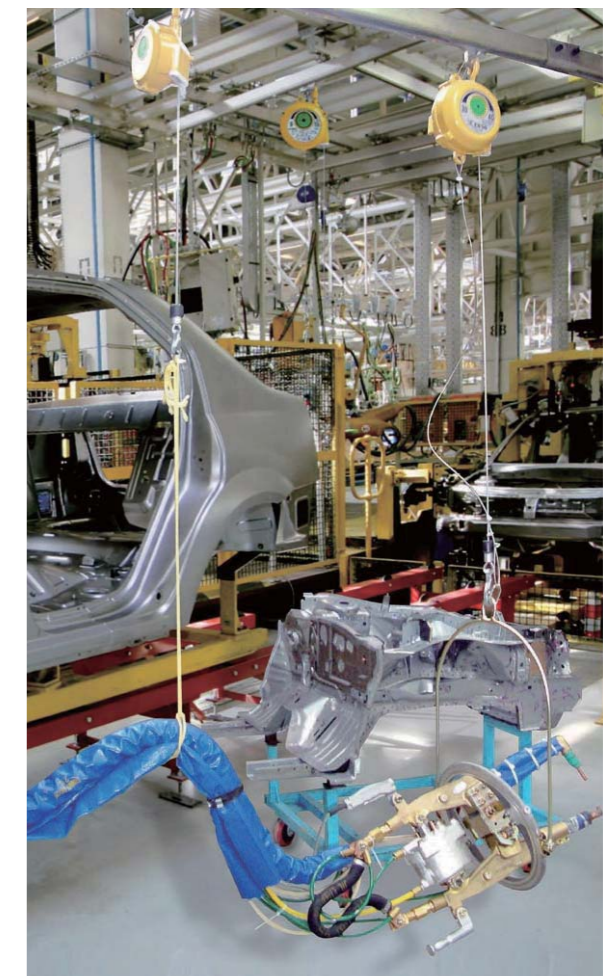
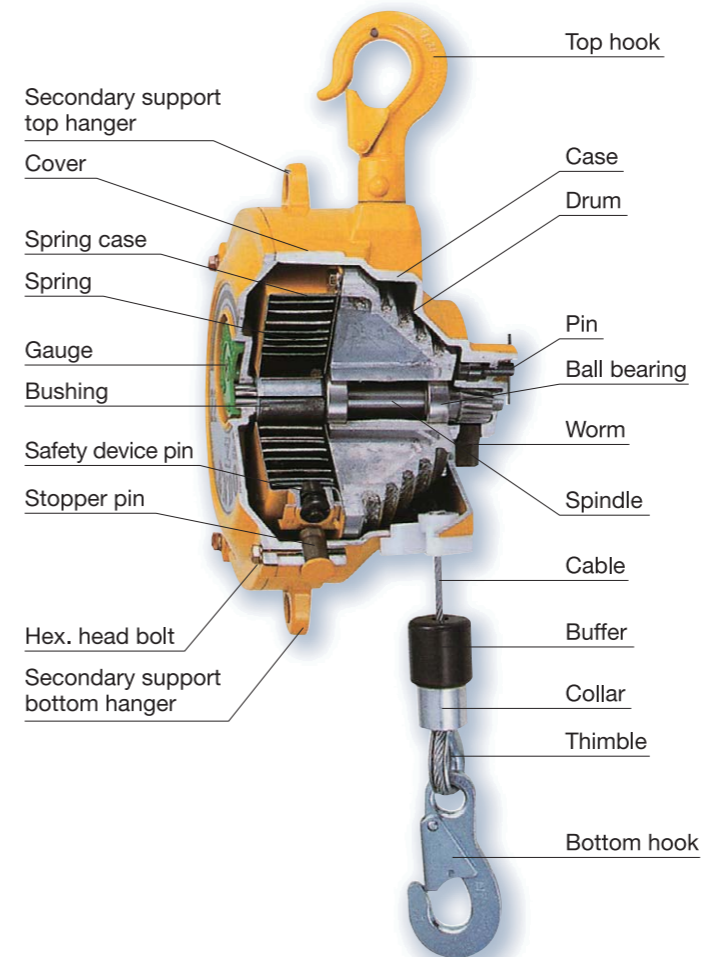
The tension is kept stable on even if the cable is pulled out or retrieved because of the tapered drum. So Spring balancers can hold the tools suspended in hollow and work for flexible positioning of the tools. Workers can enjoy comfortable operation with less fatigue.

## Location of use

- Suspending a tool for product assembly line.
- Frequent fastening screws, bolts and nuts.
- Suspending a jig, tool, welding gun etc.

## Advantages

- The balancers improve working efficiency and diminish worker fatigue.
- The balancers make the position of a tool stable and contribute to accurate work.
- The balancers are available for keeping a tool not damaged.
- Any electric or pneumatic power is not required and safe working is achieved.





# SPRING BALANCER

## How to adjust spring tension

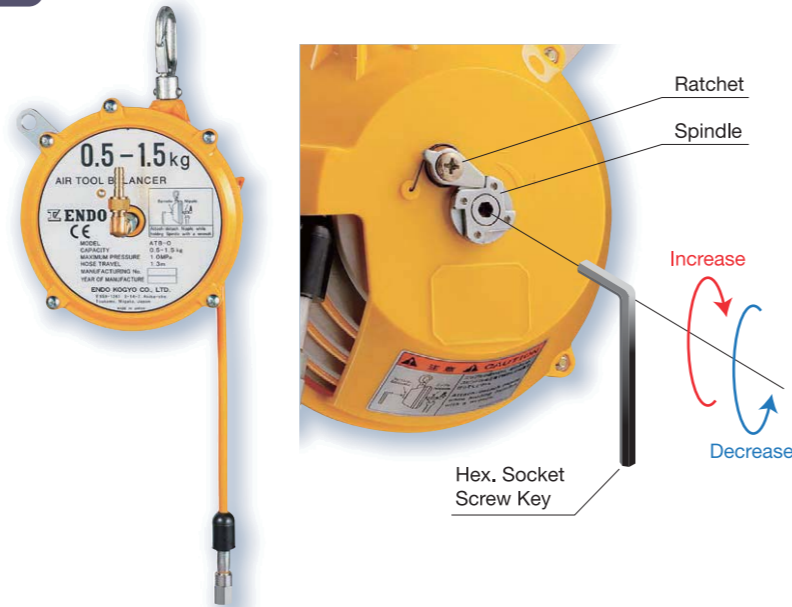
Worm gear system, Ratchet system or Handle system are available and dependent on the models. Clockwise adjustment increases the spring tension and Counter clockwise adjustment decreases the spring tension. (The spring tension has been set at the middle of capacity in advance prior to shipment)

<b>Handle system</b>	ERP model				
<b>Ratchet system</b>	EK-00,EK-0	EW-3,5	SBC	ER model	ATB model
<b>Worm gear system</b>	EWS model	EWF model	ELF model	RSB model	
	ETP model	THB model	ATR model	EWA model	

### Handle system



### Ratchet system



### Worm gear system



## Features

※ All features are not always available on all balancers.



### Fall arrest device

When spring brakes, safety pin pops out and collides with pin fixed or case to prevent the suspended tools from falling.



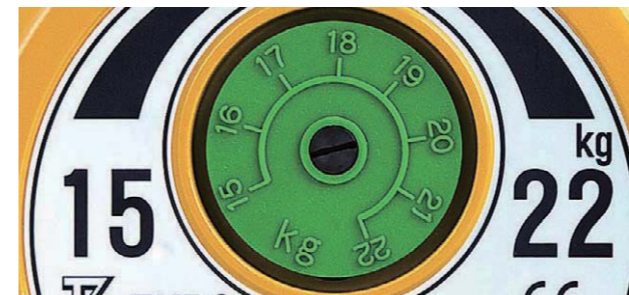
### Drum lock device

By changing the position of the pin, you can lock the drum rotating. It provides easy tool/wire rope replacement.



### Gauge

The gauge indication contributes to worker recognition on tension adjustment.



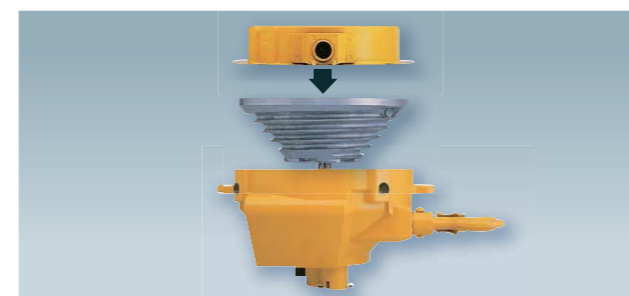
### Secondary support hanger

The secondary support hanger is available on every model.



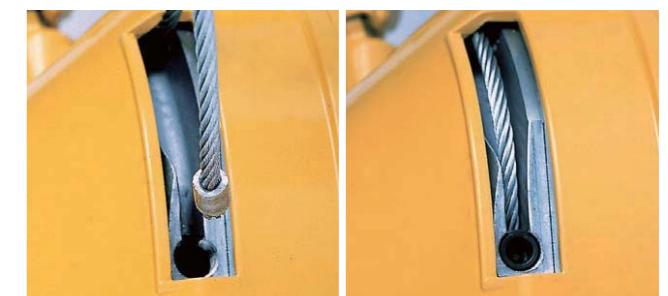
### Cartridge spring assembly

Cartridge spring provides easy and safe spring replacement.



### Wire rope replacement

The plug fixing system provides the easy cable replacement.



# SPRING BALANCER

## Summary

Type	Model	Capacity(kg)	Stroke (m)	Cable dia (φ mm)	Mass (kg)	CE	
<b>Light capacity</b>	<b>EK-00</b>	0.5 - 1.5	0.5	2.0	0.2	○	Suitable for light weight tools like an electric driver.  P.7
	<b>EK-0</b>	0.5 - 1.5	1.0	3.0	0.5	○	
	<b>ERP-06E</b>	0.3 - 0.6	1.5	2.0	0.4	○	
	<b>ERP-1E</b>	0.5 - 1.0	1.5	2.0	0.4	○	
	<b>ERP-2E</b>	1.0 - 2.0	1.5	2.0	0.4	○	
<b>Standard</b>	<b>EW-3</b>	1.0 - 3.0	1.3	3.0	1.4	○	Most popular series for a welding gun, pneumatic tool etc. Many safety features are equipped.  P.8
	<b>EW-5</b>	2.5 - 5.0	1.3	3.0	1.5	—	
	<b>EWS-3</b>	1.5 - 3.0	1.3	3.0	1.9	○	
	<b>EWS-5</b>	3.0 - 5.0	1.3	3.0	2.1	○	
	<b>EWS-7</b>	5.0 - 7.0	1.3	3.0	2.1	○	
	<b>EWF-9</b>	4.5 - 9.0	1.3	4.0	3.5	○	
	<b>EWF-15</b>	9.0 - 15.0	1.3	4.0	3.8	○	
	<b>EWF-22</b>	15.0 - 22.0	1.5	4.76	7.3	○	
	<b>EWF-30</b>	22.0 - 30.0	1.5	4.76	7.7	○	
	<b>EWF-40</b>	30.0 - 40.0	1.5	4.76	9.7	○	
	<b>EWF-50</b>	40.0 - 50.0	1.5	4.76	10.1	○	
<b>Large capacity</b>	<b>EWF-60</b>	50.0 - 60.0	1.5	4.76	11.1	○	Suitable for heavy weight devices like a multiple nut runner.  P.9
	<b>EWF-70</b>	60.0 - 70.0	1.5	4.76	11.4	○	
	<b>EWF-90</b>	70.0 - 90.0	2.0	4.76	21.9	○	
	<b>EWF-105</b>	85.0 - 105.0	2.0	4.76	24.0	○	
	<b>EWF-120</b>	100.0 - 120.0	2.0	4.76	27.5	○	
	<b>ETP-14</b>	120.0 - 140.0	1.2	6.0	24.1	○	
<b>Long stroke</b>	<b>ETP-15</b>	140.0 - 170.0	1.2	6.0	28.7	○	Available for high ceiling applications.  P.10
	<b>ETP-16</b>	170.0 - 200.0	1.2	6.0	29.7	○	
	<b>ELF-3</b>	1.5 - 3.0	2.5	3.0	4.6	○	
	<b>ELF-5</b>	3.0 - 5.0	2.5	3.0	4.8	○	
	<b>ELF-9</b>	5.0 - 9.0	2.5	3.0	5.4	○	
	<b>ELF-15</b>	9.0 - 15.0	2.5	4.76	10.0	○	
	<b>ELF-22</b>	15.0 - 22.0	2.5	4.76	10.2	○	
	<b>ELF-30</b>	22.0 - 30.0	2.5	4.76	11.0	○	
	<b>ELF-40</b>	30.0 - 40.0	2.5	4.76	14.0	○	
	<b>ELF-50</b>	40.0 - 50.0	2.5	4.76	14.5	○	
<b>With Ratchet</b>	<b>ELF-60</b>	50.0 - 60.0	2.5	4.76	17.1	○	Available for holding suspend tool on the way of stroke mechanically. Even if no load is applied, its hook can be hold on the way of stroke.  P.11
	<b>ELF-70</b>	60.0 - 70.0	2.5	4.76	18.0	○	
	<b>RSB-15</b>	9.0 - 15.0	1.5	5.0	7.4	—	
	<b>RSB-22</b>	15.0 - 22.0	1.5	5.0	7.7	—	
	<b>RSB-30</b>	22.0 - 30.0	1.5	5.0	8.1	—	P.12
	<b>RSB-40</b>	30.0 - 40.0	1.5	5.0	8.5	—	

Type	Model	Capacity(kg)	Stroke (m)	Cable/Hose dia (φ mm)	Mass (kg)	CE	
<b>With cable snap back prevention device</b>	<b>EWA-15</b>	9.0 - 15.0	1.3	4.0	4.7	○	Having device to arrest wire rope snap back in case that a wire rope is cut or suspended tool is disengaged. It will save worker from injury or dangerous occurred by such a situation.  P.13
	<b>EWA-22</b>	15.0 - 22.0	1.5	4.76	8.9	○	
	<b>EWA-30</b>	22.0 - 30.0	1.5	4.76	9.3	○	
	<b>EWA-40</b>	30.0 - 40.0	1.5	4.76	11.9	○	
	<b>EWA-50</b>	40.0 - 50.0	1.5	4.76	12.3	○	
	<b>EWA-60</b>	50.0 - 60.0	1.5	4.76	13.3	○	
	<b>EWA-70</b>	60.0 - 70.0	1.5	4.76	13.6	○	
<b>With brake system</b>	<b>EWF-3B</b>	1.5 - 3.0	1.3	3.0	4.7	○	Having one-way clutch lining braking system. Provide speedy and safe work by moving up tools slowly.  P.14
	<b>EWF-5B</b>	3.0 - 5.0	1.3	3.0	8.9	○	
	<b>EWF-7B</b>	5.0 - 7.0	1.3	3.0	9.3	○	
<b>Air tool balancer</b>	<b>ATB-0</b>	0.5 - 1.5	1.3	6.3	1.58	○	Having two function both hose reel and balancer. Urethane hose is wound and air tools can be easily moved up and down.  P.15
	<b>ATB-1</b>	1.5 - 3.0	1.3	6.3	1.66	○	
	<b>ATB-2</b>	3.0 - 5.0	1.3	3.6	1.73	—	
<b>Tool hose balancer</b>	<b>THB-15A</b>	0.5 - 1.5	1.3	8.5	2.0	○	Inside diameter of hose is φ8.5mm.(bigger than ATB series) which supplies enough air to operate the suspended air tool or device.  P.16
	<b>THB-25A</b>	1.5 - 2.5	1.3	8.5	2.1	○	
	<b>THB-35A</b>	2.5 - 3.5	1.3	8.5	2.2	○	
	<b>THB-50A</b>	3.5 - 5.0	1.3	8.5	2.2	○	
	<b>THB-65A</b>	5.0 - 6.5	1.3	8.5	2.3	○	

Type	Model	Max tension N (kgf)	Stroke (m)	Cable/Hose dia (φ mm)	Mass (kg)	CE	
<b>Air tool reel</b>	<b>ATR-5</b>	4.9 {5.0}	2.0	10.0	3.8	○	Suitable for retracting hose into the device automatically.  P.17
	<b>ATR-5-1</b>	4.9 {5.0}	2.0	10.0	4.2	○	
<b>Torque reel</b>	<b>ER-3A</b>	18 {1.8}	3.0	2.38	1.4	○	Long travel cable is suitable for hanging pendant switch and so on. -A type has ratchet system that can be stopped on the way of cable travel.  P.18
	<b>ER-3B</b>	18 {1.8}	3.0	2.38	1.3	○	
	<b>ER-5A</b>	25 {2.5}	3.0	2.38	1.5	—	
	<b>ER-5B</b>	25 {2.5}	3.0	2.38	1.4	—	
	<b>ER-10A</b>	49 {5.0}	3.0	2.38	4.5	—	
	<b>ER-10B</b>	49 {5.0}	3.0	2.38	3.8	—	




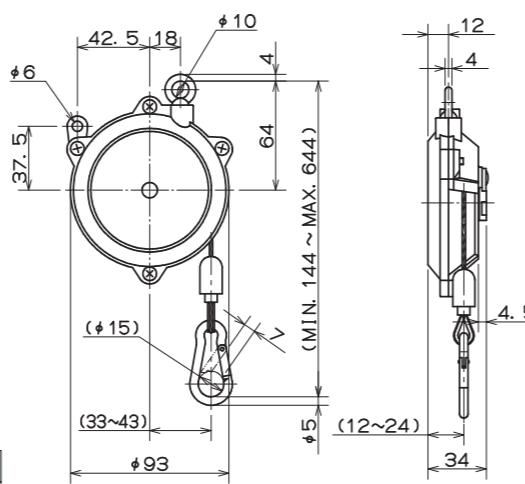
They are suitable for the light weight tool like an electric driver.

Many safety features are equipped and they are most popular. For a welding gun, Pneumatic tool etc.

### EK-00 Light capacity

**FUNCTION**

- Ratchet system spring adjustment
- CE Mark available


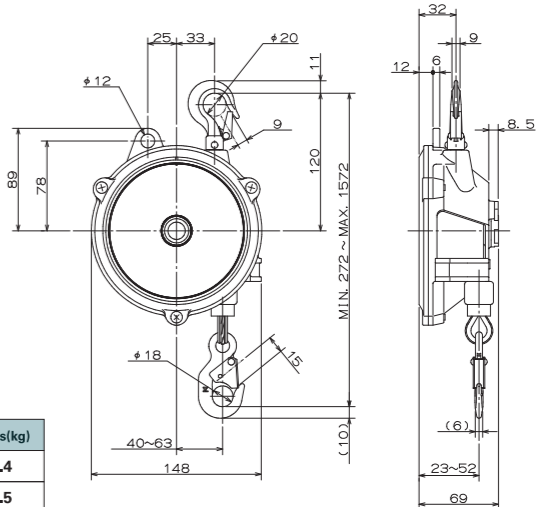



Model	Capacity(kg)	Stroke(m)	Cable dia(φmm)	Mass(kg)
EK-00	0.5-1.5	0.5	2.0	0.2

### EW-3/5 Standard

**FUNCTION**

- Plug type cable set
- Ratchet system spring adjustment
- CE Mark available
- \* Only EW-3 is available for CE Mark


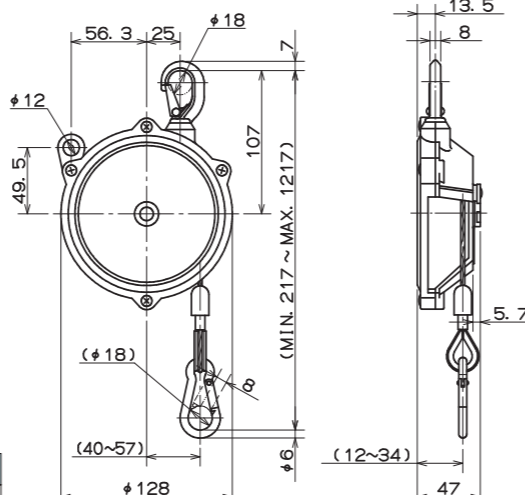



Model	Capacity(kg)	Stroke(m)	Cable dia(φmm)	Mass(kg)
EW-3	1.0-3.0	1.3	3.0	1.4
EW-5	2.5-5.0	1.3	3.0	1.5

### EK-0 Light capacity

**FUNCTION**

- Ratchet system spring adjustment
- CE Mark available


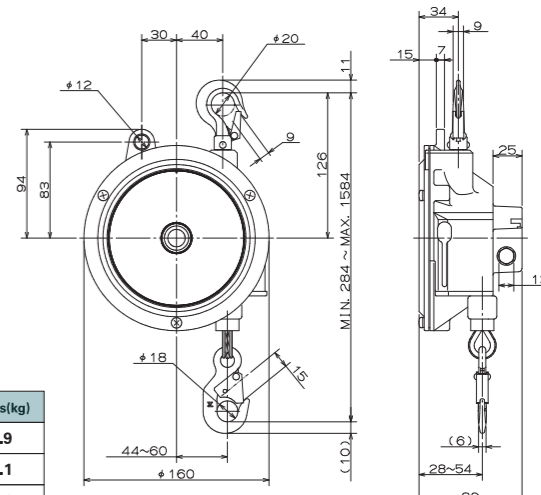



Model	Capacity(kg)	Stroke(m)	Cable dia(φmm)	Mass(kg)
EK-0	0.5-1.5	1.0	3.0	0.5

### EWS-3/5/7 Standard

**FUNCTION**

- Plug type cable set
- Fall arrest device
- Drum lock device
- Worm gear spring adjustment
- CE Mark available


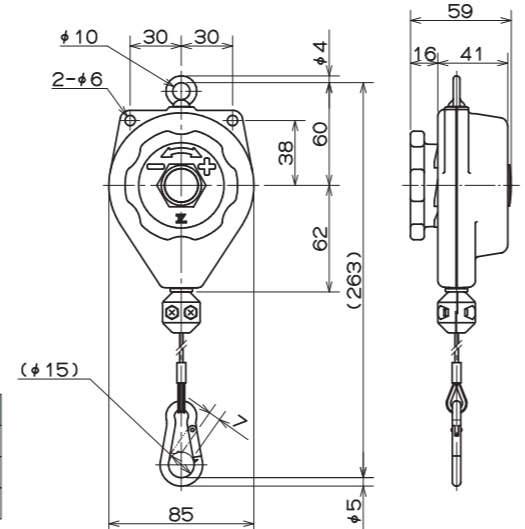



Model	Capacity(kg)	Stroke(m)	Cable dia(φmm)	Mass(kg)
EWS-3	1.5-3.0	1.3	3.0	1.9
EWS-5	3.0-5.0	1.3	3.0	2.1
EWS-7	5.0-7.0	1.3	3.0	2.1

### ERP-06E/1E/2E Light capacity

**FUNCTION**

- Handle system spring adjustment
- CE Mark available


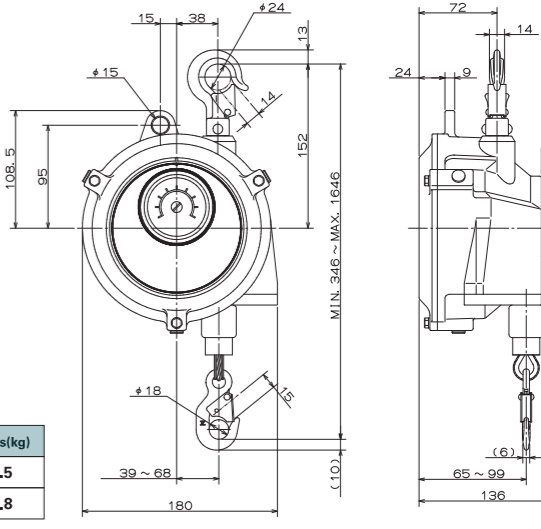



Model	Capacity(kg)	Stroke(m)	Cable dia(φmm)	Mass(kg)
ERP-06E	0.3-0.6	1.5	2.0	0.4
ERP-1E	0.5-1.0	1.5	2.0	0.4
ERP-2E	1.0-2.0	1.5	2.0	0.4

### EWF-9/15 Standard

**FUNCTION**

- Gauge
- Cartridge spring assembly
- Plug type cable set
- Fall arrest device
- Drum lock device
- Worm gear spring adjustment
- CE Mark available

Model	Capacity(kg)	Stroke(m)	Cable dia(φmm)	Mass(kg)
EWF-9	4.5- 9.0	1.3	4.0	3.5
EWF-15	9.0-15.0	1.3	4.0	3.8

\* A nylon rope is employed for CE market instead of a nylon coated cable.

#### Selection of suitable model

Always use a suitable model meeting the total weight of suspended tool or instrument. The balancer should be selected considering the weight of the tool and accessories.

#### Installation

- Install Spring balancers uneven not to hit each other when the balancers are installed in a line.
- Always employ a secondary support chain and leave the slack for smooth swivel.
- Always adjust the spring tension to meet the total weight of tool and the application.

#### Selection of suitable model

Always use a suitable model meeting the total weight of suspended tool or instrument. The balancer should be selected considering the weight of the tool and accessories.

#### Installation

- Install Spring balancers uneven not to hit each other when the balancers are installed in a line.
- Always employ a secondary support chain and leave the slack for smooth swivel.
- Always adjust the spring tension to meet the total weight of tool and the application.

Many safety features are equipped and they are most popular. For a welding gun, Pneumatic tool etc.

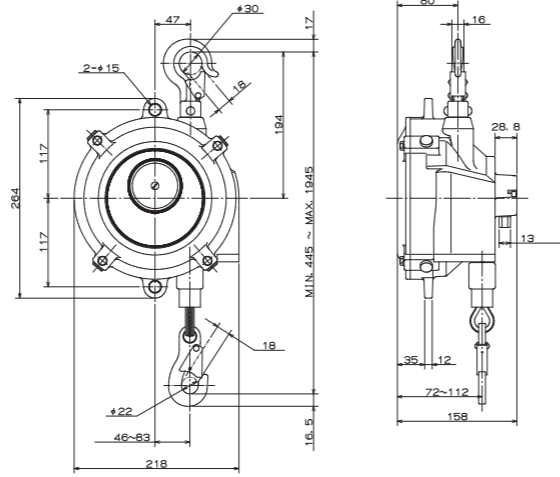
They are suitable for a heavy weight device like multiple nut runner.

## EWF-22/30

Standard

### FUNCTION

-  Gauge
-  Cartridge spring assembly
-  Plug type cable set
-  Fall arrest device
-  Drum lock device
-  Worm gear spring adjustment
-  CE Mark available









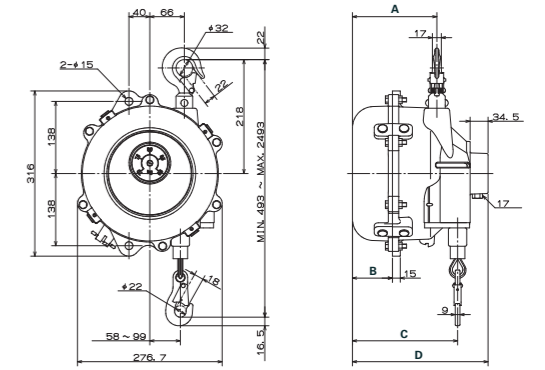
Model	Capacity(kg)	Stroke(m)	Cable dia(φmm)	Mass(kg)
EWF-22	15.0-22.0	1.5	4.76	7.3
EWF-30	22.0-30.0	1.5	4.76	7.7

## EWF-90/105/120

Large capacity

### FUNCTION

-  Gauge
-  Cartridge spring assembly
-  Plug type cable set
-  Fall arrest device
-  Drum lock device
-  Worm gear spring adjustment
-  CE Mark available



Model	Capacity(kg)	Stroke(m)	Cable dia(φmm)	Mass(kg)
EWF-90	70.0- 90.0	2.0	4.76	21.9
EWF-105	85.0-105.0	2.0	4.76	24.0
EWF-120	100.0-120.0	2.0	4.76	27.5

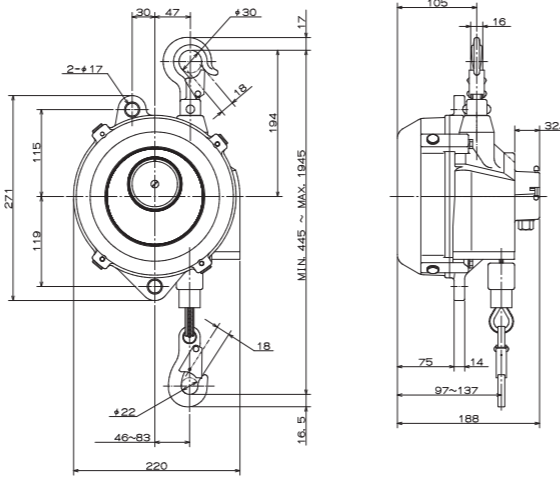
Model	A	B	C	D
EWF-90	161.5	76.5	157-201	259.5
EWF-105	179.5	94.5	175-219	277.5
EWF-120	203.5	118.5	199-243	301.5

## EWF-40/50

Standard

### FUNCTION

-  Gauge
-  Cartridge spring assembly
-  Plug type cable set
-  Fall arrest device
-  Drum lock device
-  Worm gear spring adjustment
-  CE Mark available



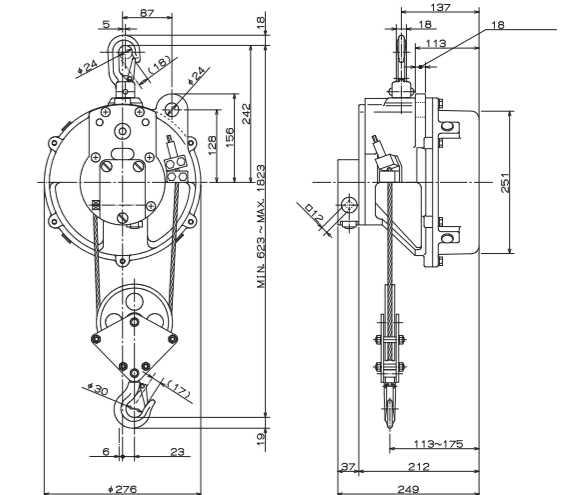
Model	Capacity(kg)	Stroke(m)	Cable dia(φmm)	Mass(kg)
EWF-40	30.0-40.0	1.5	4.76	9.7
EWF-50	40.0-50.0	1.5	4.76	10.1

## ETP-14/15/16

Large capacity

### FUNCTION

-  Fall arrest device
-  Worm gear spring adjustment
-  CE Mark available



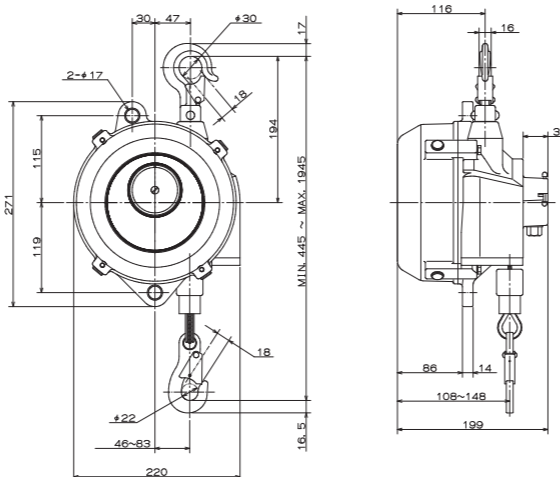
Model	Capacity(kg)	Stroke(m)	Cable dia(φmm)	Mass(kg)
ETP-14	120.0-140.0	1.2	6.0	24.1
ETP-15	140.0-170.0	1.2	6.0	28.7
ETP-16	170.0-200.0	1.2	6.0	29.7

## EWF-60/70

Standard

### FUNCTION

-  Gauge
-  Cartridge spring assembly
-  Plug type cable set
-  Fall arrest device
-  Drum lock device
-  Worm gear spring adjustment
-  CE Mark available



Model	Capacity(kg)	Stroke(m)	Cable dia(φmm)	Mass(kg)
EWF-60	50.0-60.0	1.5	4.76	11.1
EWF-70	60.0-70.0	1.5	4.76	11.4

### Selection of suitable model

Always use a suitable model meeting the total weight of suspended tool or instrument. The balancer should be selected considering the weight of the tool and accessories.

### Installation

- Install Spring balancers uneven not to hit each other when the balancers are installed in a line.
- Always employ a secondary support chain and leave the slack for smooth swivel.
- Always adjust the spring tension to meet the total weight of tool and the application.

### Selection of suitable model

Always use a suitable model meeting the total weight of suspended tool or instrument. The balancer should be selected considering the weight of the tool and accessories.

### Installation

- Install Spring balancers uneven not to hit each other when the balancers are installed in a line.
- Always employ a secondary support chain and leave the slack for smooth swivel.
- Always adjust the spring tension to meet the total weight of tool and the application.



ELF series are available for high ceiling application.

## ELF-3/5/9

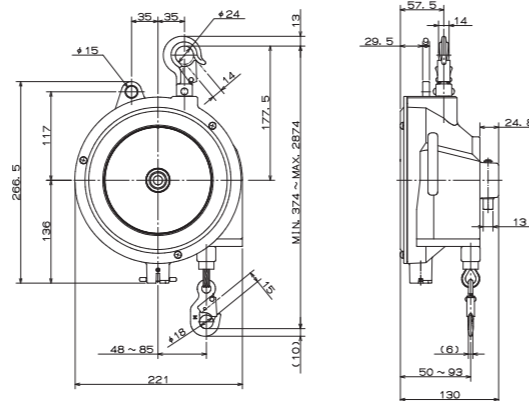
Long stroke

### FUNCTION

-  Plug type cable set
-  Fall arrest device
-  Drum lock device
-  Worm gear spring adjustment
-  CE Mark available





Model	Capacity(kg)	Stroke(m)	Cable dia(φmm)	Mass(kg)
ELF-3	1.5-3.0	2.5	3.0	4.6
ELF-5	3.0-5.0	2.5	3.0	4.8
ELF-9	5.0-9.0	2.5	3.0	5.4



## ELF-15/22/30

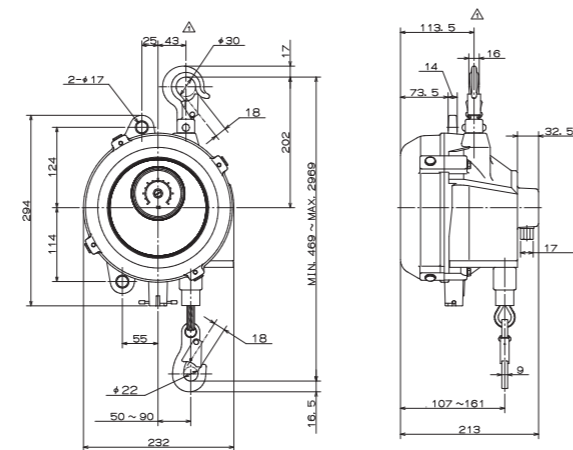
Long stroke

### FUNCTION

-  Gauge
-  Cartridge spring assembly
-  Plug type cable set
-  Fall arrest device
-  Drum lock device
-  Worm gear spring adjustment
-  CE Mark available






Model	Capacity(kg)	Stroke(m)	Cable dia(φmm)	Mass(kg)
ELF-15	9.0-15.0	2.5	4.76	10.0
ELF-22	15.0-22.0	2.5	4.76	10.2
ELF-30	22.0-30.0	2.5	4.76	11.0



## ELF-40/50

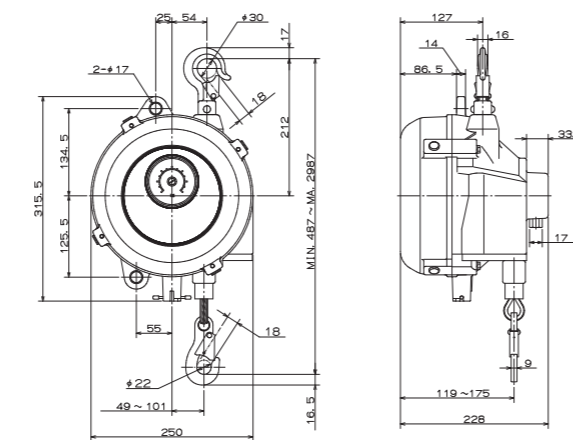
Long stroke

### FUNCTION

-  Gauge
-  Cartridge spring assembly
-  Plug type cable set
-  Fall arrest device
-  Drum lock device
-  Worm gear spring adjustment
-  CE Mark available



Model	Capacity(kg)	Stroke(m)	Cable dia(φmm)	Mass(kg)
ELF-40	30.0-40.0	2.5	4.76	14.0
ELF-50	40.0-50.0	2.5	4.76	14.5



### Selection of suitable model

Always use a suitable model meeting the total weight of suspended tool or instrument. The balancer should be selected considering the weight of the tool and accessories.




### Installation

- Install Spring balancers uneven not to hit each other when the balancers are installed in a line.
- Always employ a secondary support chain and leave the slack for smooth swivel.
- Always adjust the spring tension to meet the total weight of tool and the application.

## ELF-60/70

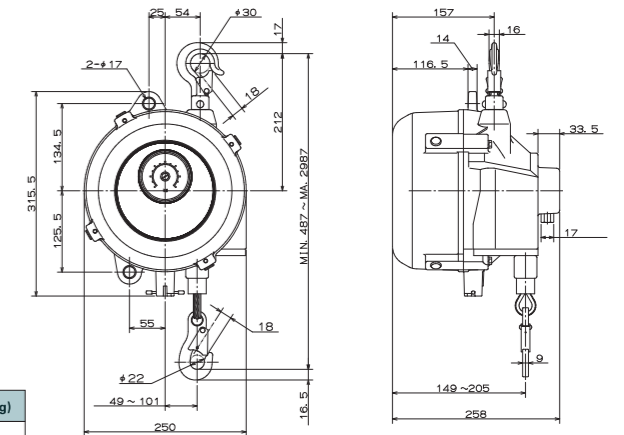
Long stroke

### FUNCTION

-  Gauge
-  Cartridge spring assembly
-  Plug type cable set
-  Fall arrest device
-  Drum lock device
-  Worm gear spring adjustment
-  CE Mark available



Model	Capacity(kg)	Stroke(m)	Cable dia(φmm)	Mass(kg)
ELF-60	50.0-60.0	2.5	4.76	17.1
ELF-70	60.0-70.0	2.5	4.76	18.0



## RSB-15

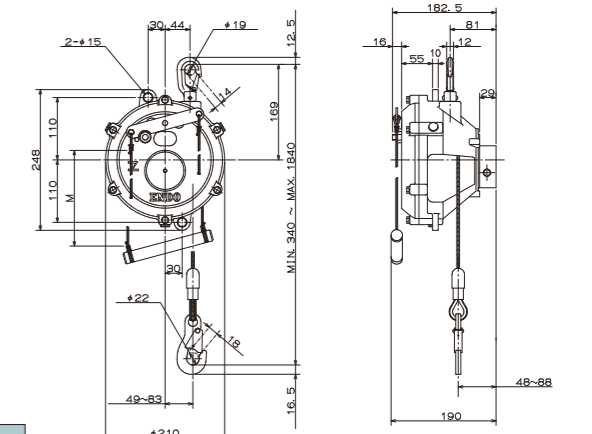
With Ratchet

### FUNCTION

-  Ratchet device
-  Fall arrest device
-  Worm gear spring adjustment




Model	Capacity(kg)	Stroke(m)	Cable dia(φmm)	Mass(kg)
RSB-15	9.0-15.0	1.5	5.0	7.4



## RSB-22/30/40

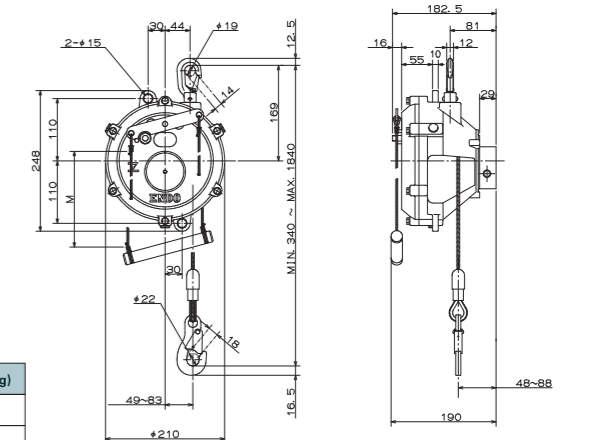
With Ratchet

### FUNCTION

-  Gauge
-  Ratchet device
-  Fall arrest device
-  Worm gear spring adjustment



Model	Capacity(kg)	Stroke(m)	Cable dia(φmm)	Mass(kg)
RSB-22	15.0-22.0	1.5	5.0	7.7
RSB-30	22.0-30.0	1.5	5.0	8.1
RSB-40	30.0-40.0	1.5	5.0	8.5



### Selection of suitable model

Always use a suitable model meeting the total weight of suspended tool or instrument. The balancer should be selected considering the weight of the tool and accessories.

### Installation

- Install Spring balancers uneven not to hit each other when the balancers are installed in a line.
- Always employ a secondary support chain and leave the slack for smooth swivel.
- Always adjust the spring tension to meet the total weight of tool and the application.

## Spring balancer with cable snap back prevention device

### Features

In case that a cable installed in a spring balancer is cut or a suspended tool is disengaged, the cable will snap back due to the tension of spring involved in a spring balancer, causing the dangerous situation such as the injury to personnel etc. This new device has developed to protect personnel from such the danger.

### Description of the device

As soon as a cable is cut, a drum revolves rapidly winding a cable up. Rapid revolution of the drum generates centrifugal force. The centrifugal force makes a Ratchet on a spring case pushed out and the ratchet sticks in a wheel fixed on a cover, stopping the revolution of the drum.

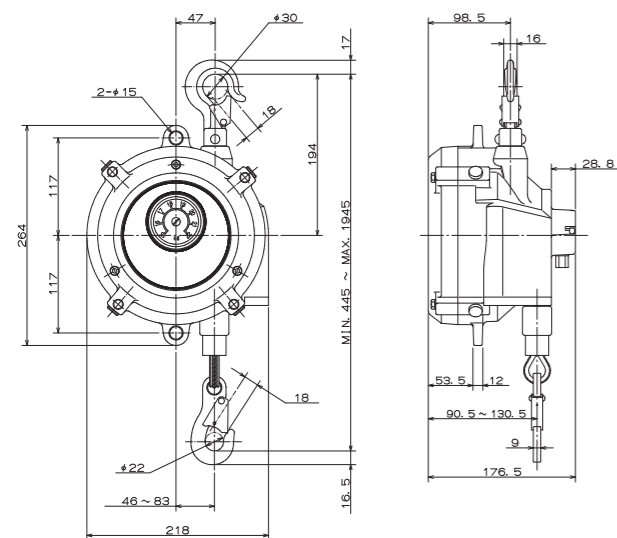
Model	Capacity(kg)	Stroke(m)	Cable dia(φmm)	Mass(kg)
EWA-15	9.0-15.0	1.3	4.0	4.7
EWA-22	15.0-22.0	1.5	4.76	8.9
EWA-30	22.0-30.0	1.5	4.76	9.3
EWA-40	30.0-40.0	1.5	4.76	11.9
EWA-50	40.0-50.0	1.5	4.76	12.3
EWA-60	50.0-60.0	1.5	4.76	13.3
EWA-70	60.0-70.0	1.5	4.76	13.6

\* The cable snap back protection device for 70kg to 120kg capacity is available on request.

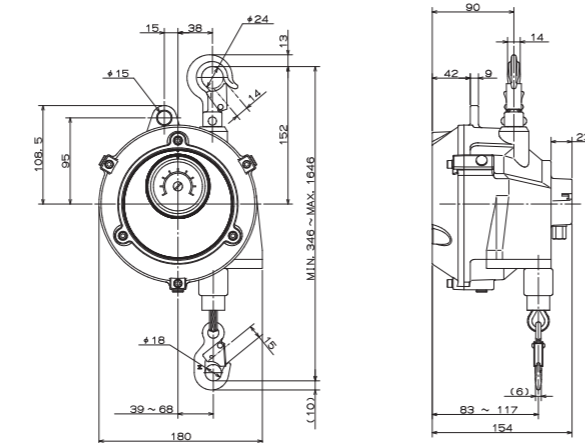
#### FUNCTION



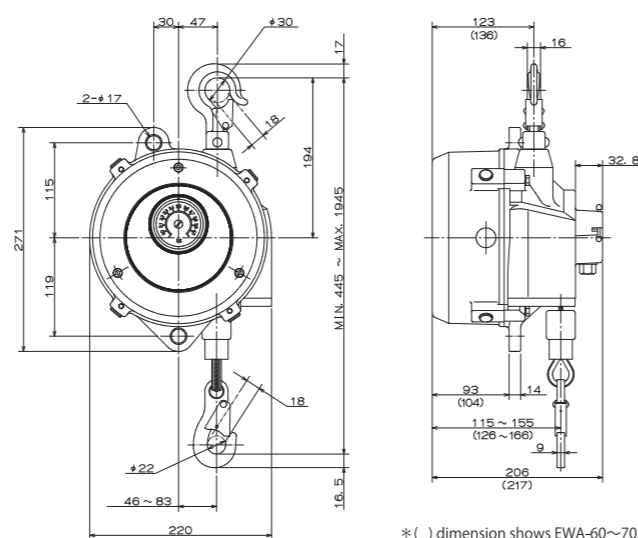
### EWA-22/30



### EWA-15



### EWA-40/50/60/70



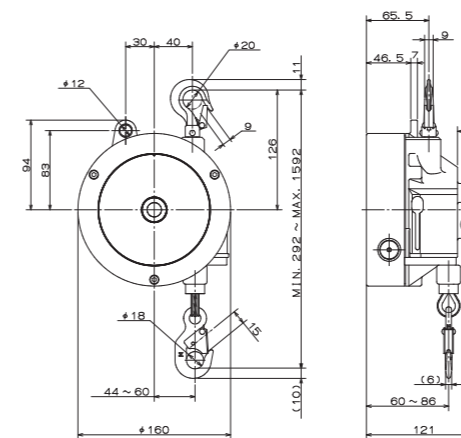
\*( ) dimension shows EWA-60~70.

## Spring balancer with brake system

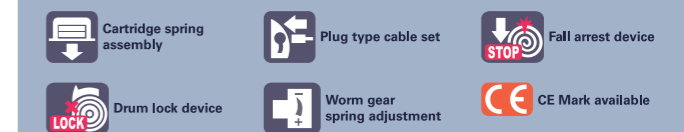
### Features

It uses one-way clutch lining braking system and it hangs up tools slowly. Snap back with slow speed helps speedy and safe work for you. Set brake free, you can use it as a normal balancer.

Model	Capacity(kg)	Stroke(m)	Cable dia(φmm)	Mass(kg)
EWB-3B	1.5-3.0	1.3	3.0	4.7
EWB-5B	3.0-5.0	1.3	3.0	8.9
EWB-7B	5.0-7.0	1.3	3.0	9.3



#### FUNCTION



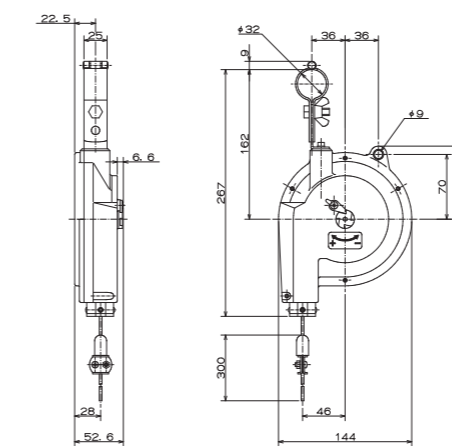
## Spring Balancer for clean room

### Features

The case is conductive, allowing it to be grounded using an earth wire and it is sealed to prevent the dispersal of particles.

Model	Capacity(kg)	Stroke(m)	Mass(kg)
SBC-15-D	0.5-1.5	0.9	1.2
SBC-25-D	1.5-2.5	0.9	1.3

\* Stainless wire rope is covered with urethane tube.



#### FUNCTION





## Features

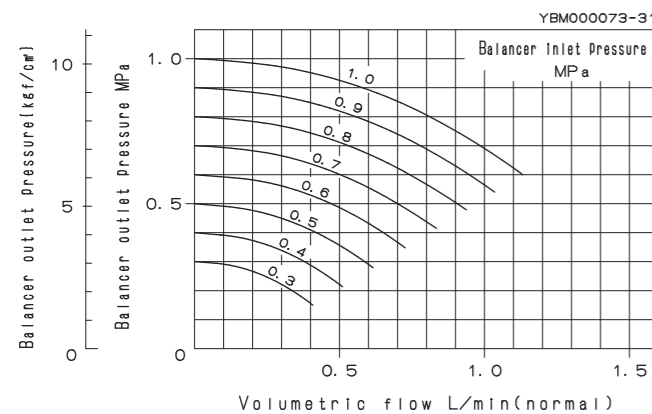
Instead of the wire rope, the urethane hose is wound and air tools can be easily moved up and down.  
Casing and drum are made of acrylonitrile butadiene-styrene resin and they are light.  
The diameter of hose nipple is  $\phi 9\text{mm}$  at inlet portion.  
And swivel joint size Rc.1/4 at outlet portion.

## Working conditions

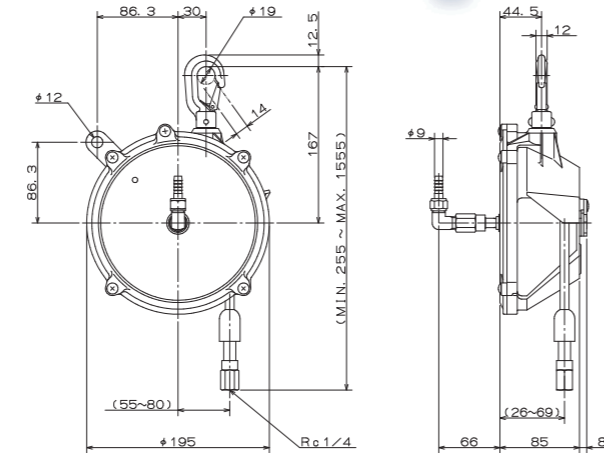
- Application area : Indoor and normal atmospheric conditions
- Temperature rang :  $-10^{\circ}\text{C}$  to  $+40^{\circ}\text{C}$
- Application fluid : Air
- Maximum air pressure : 1.0MPa {10kgf/cm<sup>2</sup>}

Model	Capacity(kg)	Hose travel (m)	Air inlet.( $\phi$ mm)	Mass(kg)
ATB-0	0.5-1.5	1.3	6.3	1.58
ATB-1	1.5-3.0	1.3	6.3	1.66
ATB-2	3.0-5.0	1.3	6.3	1.73

## Flow characteristics



## Dimensions(mm)



### FUNCTION

- Ratchet system spring adjustment
  - Cushion cover available
  - CE Mark available
- ※ATB-2 is not available for CE Mark.

## Features

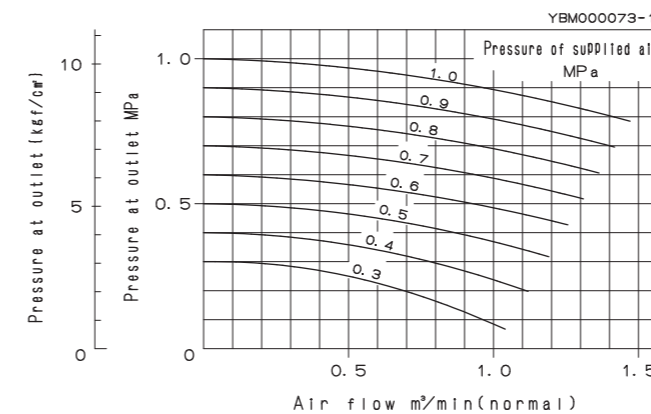
Instead of the wire rope, the urethane hose is wound and air tools can be easily moved up and down.  
When the spring failure is happened, the fall prevention device will operate and stop the suspended tool or device.  
The inside diameter of hose is  $\phi 8.5\text{mm}$  which supplies enough air to operate the suspended air too or device.

## Working conditions

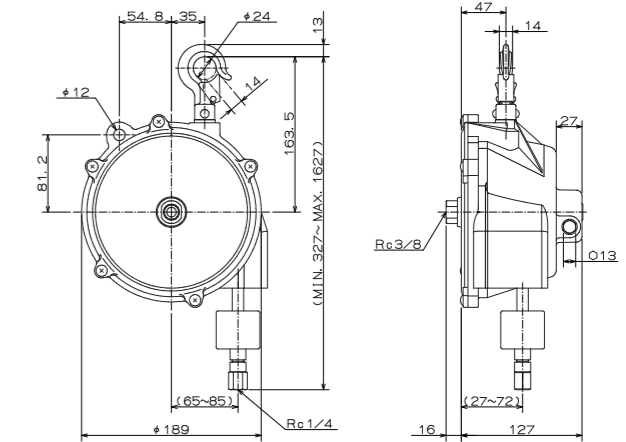
- Application area : Indoor and normal atmospheric conditions
- Temperature rang :  $-10^{\circ}\text{C}$  to  $+40^{\circ}\text{C}$
- Application fluid : Air
- Maximum air pressure : 1.0MPa {10kgf/cm<sup>2</sup>}

Model	Capacity(kg)	Hose travel (m)	Hose inside diameter. ( $\phi$ mm)	Mass(kg)
THB-15A	0.5-1.5	1.3	8.5	2.0
THB-25A	1.5-2.5	1.3	8.5	2.1
THB-35A	2.5-3.5	1.3	8.5	2.2
THB-50A	3.5-5.0	1.3	8.5	2.2
THB-65A	5.0-6.5	1.3	8.5	2.3

## Flow characteristics



## Dimensions(mm)



### FUNCTION

- Worm gear spring adjustment
- Cushion cover available
- Fall arrest device
- CE Mark available

## Accessories

### Protect wire set

Product number	Available model
LBP000794	ATB-0,1,2

The protector is available for tool fall protection caused by unintentionally detaching an air tool from a coupling.



## Special accessories

### Swivel elbow fitting for air inlet (outer dia 10.5mm)

Parts No. LBP000654

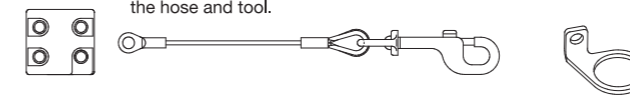
### Swivel Joint

Parts No. LBP000659

### Protect wire

Parts No. LBP002196

The protect wire prevents accidental dropping and / or disconnection between the hose and tool.



### Coupling socket (Outer dia 11.3mm)

Parts No. LBP000784

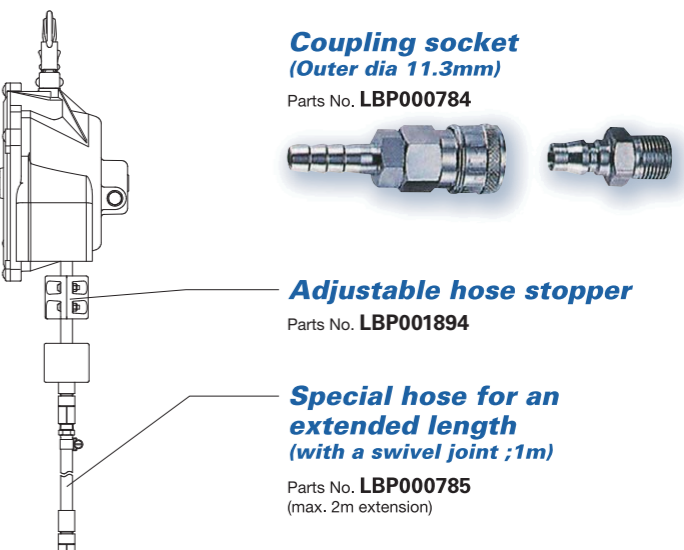


### Adjustable hose stopper

Parts No. LBP001894

### Special hose for an extended length (with a swivel joint ;1m)

Parts No. LBP000785 (max. 2m extension)



## Features

An included spring works to retract a hose into the device automatically.

A contained hose solves the short of air consumption for air tool owing to a large inner diameter of 10φ.

A ratchet system applied for the device can keep a tool suspended at any position on the hose travel where you want.

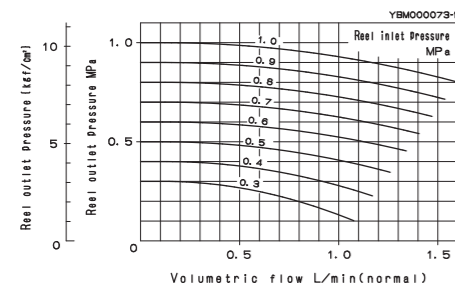
※On-off work of ratchet system is available through knob operation.

The fall preventive system from the tool drop works when the included spring has been broken.

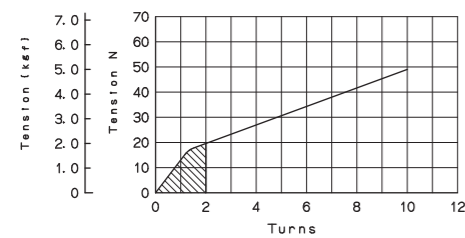
ATR-5 is installed with top hook and ATR-5-1 is installed with bracket.

Model	Max tension N (kgf)	Hose travel (m)	Air inlet (φmm)	Mass(kg)
ATR-5	4.9 (5.0)	2.0	10.0	3.8
ATR-5-1	4.9 (5.0)	2.0	10.0	4.2

## Flow characteristics



## Tension curves



## Accessories



**Special hose for extended length (with a swivel joint)**

**1m** Parts No. LBP000659

**2m** Parts No. LBP000664

**3m** Parts No. LBP000665



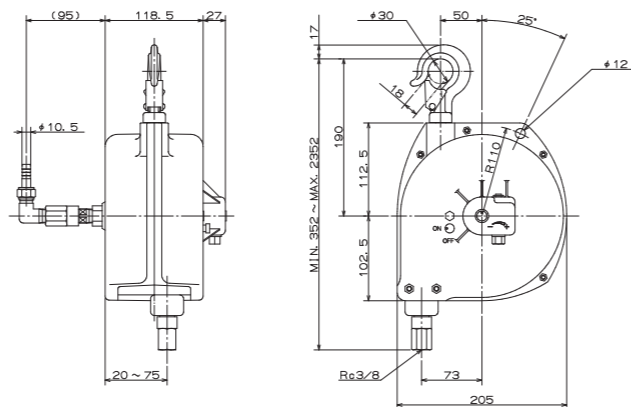
**Adjustable hose stopper**

Parts No. LRP007933

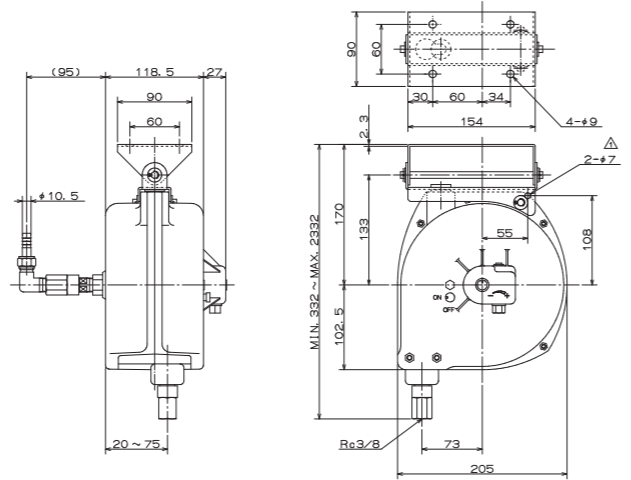


## Dimensions(mm)

### ATR-5



### ATR-5-1



## FUNCTION



CE Mark available



Ratchet device



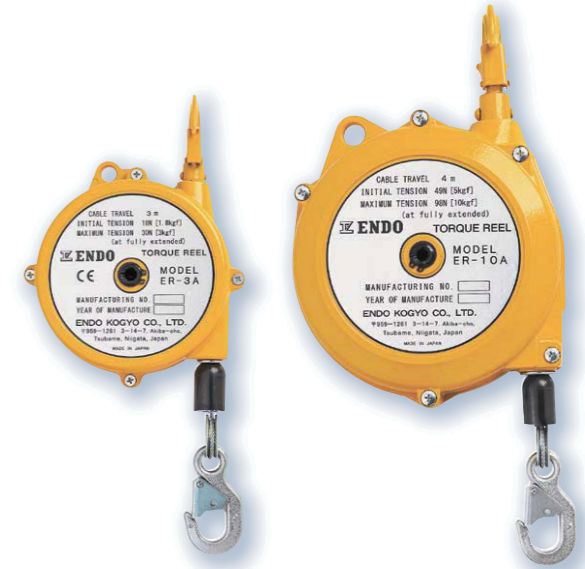
Fall arrest device

## Features

This model can be stopped on the way of cable travel because of ratchet system.(-A type)

The jamming of the cable will not occur because of its cylindrical drum.

They has long cable travel (ER-3A/3B, ER-5A/5B=3m, ER-10A/10B=4m) and are designed light and compact.



## FUNCTION



Ratchet system spring adjustment



Cushion cover available



CE Mark available

※Only ER-3A/ER-3B is available for CE Mark.

Model	Initial Max. tension (tension at retracted)		Active cable travel (m)	Tension build-up, full length of cable		the number of available spring winding	with or without ratchet	Diameter of cable (φmm)	Mass(kg)
	N	(kgf)		N	(kgf)				
ER-3A	18	1.8	3	12	1.2	about 16	○	2.38	1.4
ER-3B	18	1.8	3	12	1.2	about 16	×	2.38	1.3
ER-5A	25	2.5	3	25	2.5	about 13	○	2.38	1.5
ER-5B	25	2.5	3	25	2.5	about 13	×	2.38	1.4
ER-10A	49	5.0	4	49	5.0	about 13	○	2.38	4.5
ER-10B	49	5.0	4	49	5.0	about 13	×	2.38	3.8

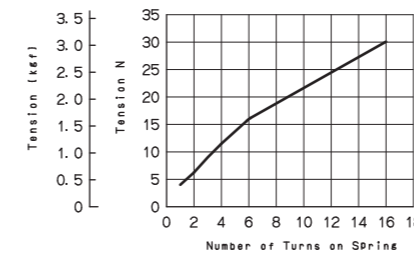
(note) The tension increases gradually as the cable is pulled out. For example, on ER-5A, supposing that the tension of spring is adjusted at 25N (2.5kgf) when the cable is fully retracted, the tension of spring (when the cable is pulled out 3m) is equal to 50N (25+25) (2.5+2.5=5kgf)

## Tension curves

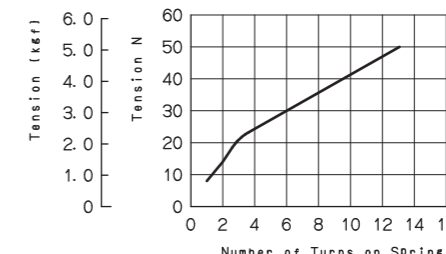
### The relation with the number of drum revolving and the length of winding cable

The length of winding cable per one revolving of drum ER-3A/3B,5A/5B ... about 350mm ER-10A/10B ... about 480mm

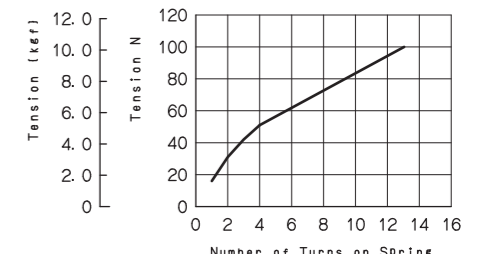
### ER-3A/3B



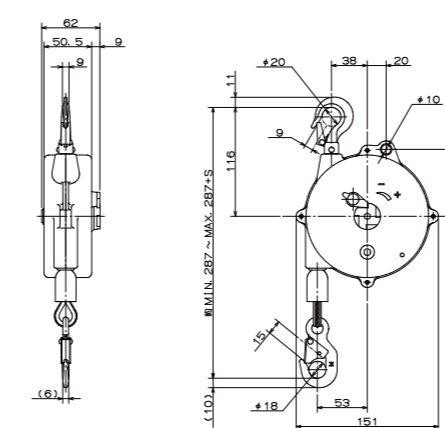
### ER-5A/5B



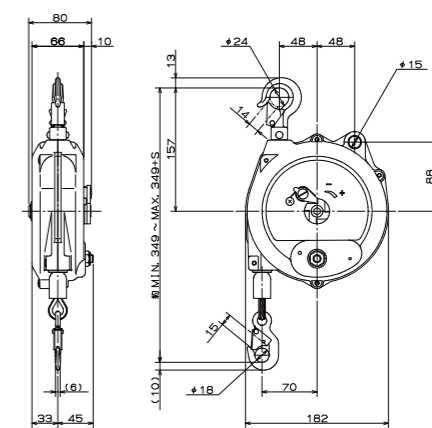
### ER-10A/10B



## Dimensions(mm)



ER-3A/3B  
ER-5A/5B



ER-10A/10B



## Cushion



**TYPE-A**  
Parts No. **P2B300789**  
EWF-22 - 70

**TYPE-B**  
Parts No. **P2B300799**  
ATB series  
THB series

## Insulation Hook



Parts No.	Diameter of cable (φmm)	Available model
LBP000145	4.0	EWF-9·15
LBP000146	4.76	EWF-22-70, EWA-22-70
LBP001185	4.76	EWF-90-120
LBP000656	4.76	ELF-15-70

Owing to insulation of holder, it becomes unnecessary to use the insulation made of ceramic (or others) which is casual at present. This composes one set with special cable.

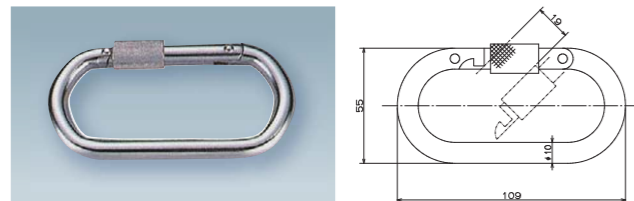


## Adjustable cable stopper



Parts No.	Diameter of cable (φmm)	Available model
LBP000150	2-2.38	EK-00, ER
LBP000125	3	EK-0, EW-3/5, EWS, ELF-3-9
LBP000126	4	EWF-9/15, EWA-15
LBP001619	4.76	EWF-22-90, EWA-22-70, ELF-15-70, RSB

## Karabina



Parts No.	Breaking load
P2S400104	16.7kN (1700kgf)

## Swivel hook



The swivel hook enables 360° flexible operation. If you do rotation work, the swivel hook reduce cable damage.

Parts No.	Available model
P2B401118	EWF-22-70

## Plain trolley

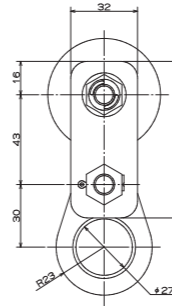
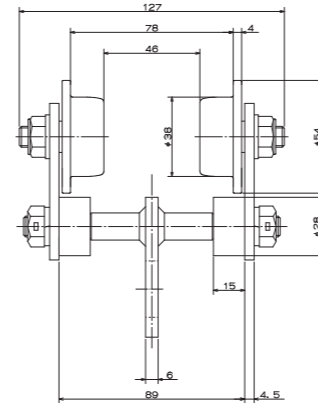


**Buffer set**  
Parts No. **LBP000771**

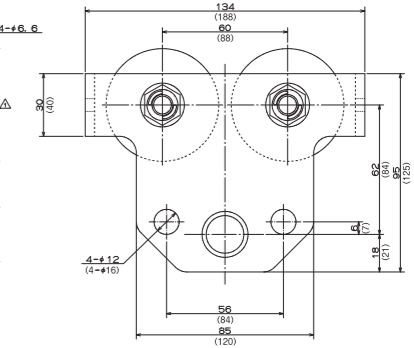
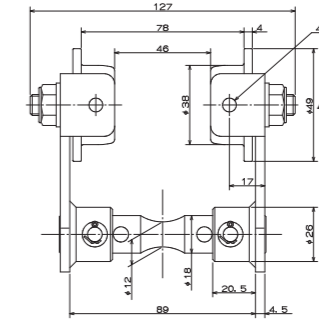
Model	Capacity(kg)	Minimum radius for corner (mm)	Beam widths(B) (mm)	Mass(kg)
PTF-60	60	—	75	0.8
PTF-125	125	600	50/75	1.6
PTF-250	250	900	75/100/125	4.2

Several kind of balancers can not be connected with plain trolleys directly. Please use a Karabina for connection.

**PTF-60**



**PTF-125-250**



※( ) dimension shows PTF-250.

## Corresponding table of Accessories

Parts No.	Name	EK 00	EK 0	EW 3-5	EWS	EWF 9-15	EWF 22-70	EWF 90-120	EWA 15	EWA 22-70	ELF 3-9	ELF 15-70	ER	RSB	ATB	THB	ATR
LBP000145	Insulation hook					○			○								
LBP000146	Insulation hook						○			○							
LBP001185	Insulation hook							○									
LBP000656	Insulation hook											○					
P2B401118	Swivel hook						○										
LBP000125	Stopper		○	○	○												
LBP000126	Stopper					○			○								
LBP000150	Stopper	○											○				
LBP001619	Stopper						○	○		○		○		○			
P2B300789	Cushion						○			○							
P2B300799	Cushion														○	○	
P2S400104	Karabina			○	○	○	○	○	○	○	○	○	○	○	○	○	○



## For the next generation

Through the development of the product that is environmentally friendly, we contribute to the sustainable development of community.

## EWF-Type-X / EWF-Type-Y

### Features

- The world's first "Eco-Friendly" spring balancer
- Synthetic food grade grease (H1 grade)
- High potential capability and endurance
- Flexible adaptability in a wide range of 1-120kg models

### Specifications

Type	Treating Method					
	Y Type			X Type		
Casing	Unpainted			Unpainted		
Cover	Unpainted			Unpainted		
Upper Hook	Zinc plating			Zinc plating		
Rivet	Clear painting			Stainless steel		
Rope	Nylon rope	White	EW(EWS)-3Y-7Y	Nylon rope	White	White EW(EWS)-3X-7X
		Black	EW-9Y-15Y		Black	Black EWF-9X-15X
	SUS Wire rope	EWF-22Y-120Y		SUS Wire rope	EWF-22X-120X	
Lower Hook	Standard(Zinc plated)			Stainless steel		
Pin(EWF-9-120)	Zinc plating			Zinc plating		
Plug	Standard			Stainless steel		
Bolts	Standard(Zinc plated)			Stainless steel		
Screws	Standard(Zinc plated)			Stainless steel		
Grease	Standard grease(on Spring)			Food grease(on Spring)		

## EWF-Type-C



### Plastic Drum

Abrasion Powder in greatly reduced comparing with the existing model.



### Fall Arrest Device

Drum lock system in equipped to prevent to fall the tools in case of the spring breakage.



### Replaceable Wire rope

Easy wire rope replacement is provided with the plug-in method.



### Riveted Spring

Outer riveted spring helps safety replacement of the spring.

### Specifications

Model	Capacity(kg)	Stroke(m)	Wire rope dia.(mm)	Mass(kg)
EW-3C	1.5-3.0	1.3	φ3	1.7
EW-5C	3.0-5.0	1.3	φ3	1.9
EW-7C	5.0-7.0	1.3	φ3	1.9





# ENDO



ISO9001 JP97/010458  
SCOPE:Head office, Plant

ISO14001 JP10/070952  
SCOPE:Head office, Plant

**ENDO KOGYO CO., LTD.**

<http://www.endo-kogyo.co.jp>

3-14-7, Akibacho, Tsubame, Niigata, Japan

Tel. 0256-62-5133 Fax. 0256-62-5772

※Items shown in this catalogue are subject to change without notice.

※Please note we no have responsibility for missing and fault on the printing.